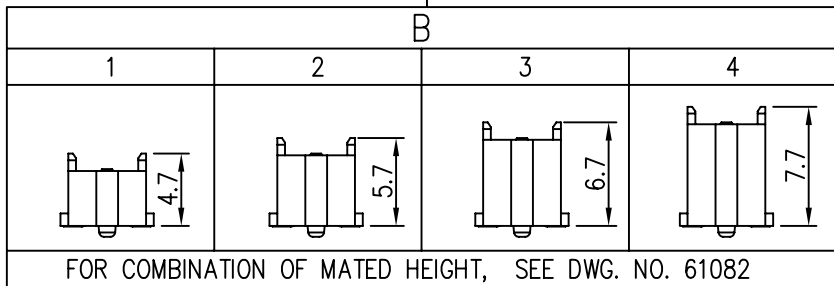


61083-AA B C D E G FF

AA	NO. OF POSITIONS
02	2X10
04	2X20
06	2X30
08	2X40
10	2X50
12	2X60
14	2X70
16	2X80
18	2X90
20	2X100

NOTE 10



G	DATE CODE
/	NOT PRINT DATE CODE
P	PRINT DATE CODE

E	PACKAGING
0	TUBE WITHOUT METAL CAP
2	T&R WITH METAL CAP
9	TUBE WITH METAL CAP
6	T&R WITHOUT METAL CAP (WITH KAPTON TAPE)
7	T&R WITH PLASTIC CAP

NOTE 10  
NOTE 10  
NOTE 11  
NOTE 10

D	FEATURE	HOLD DOWN
0	YES	NO
2	NO	NO

NOTE:

- MATERIAL:  
HOUSING: G.F. LCP, UL94-V0  
TERMINAL: BRASS
- PLATING: AS SHOWN IN TABLE.
- SEE GS-12-547 FOR PRODUCT SPEC.
- PACKAGING OPTION 2: NOT ALL SIZES ARE AVAILABLE. CHECK WITH FACTORY.
- THIS PRODUCT MEETS THE EUROPEAN UNION DIRECTIVES AND OTHER COUNTRY REGULATIONS AS DESCRIBED IN GS-22-008.
- THE HOUSING WILL WITHSTAND EXPOSURE UP TO 260° PEAK TEMPERATURE FOR 30 SECONDS IN A CONVECTION, INFRA-RED OR VAPOR PHASE REFLOW OVEN.
- PLATING OPTION "4" IS LEADFREE ALTERNATIVE FOR OPTION "0", AND OPTION "6" IS LEADFREE ALTERNATIVE FOR OPTION "1".
- HIGH PRECISION COPLANARITY IS AVAILABLE FOR 2X80 TO 2X100 POS, ALL HEIGHTS. PLS REFER TO PRINT 10069525.
- THE P/N 61083-\*\*\*\*\* OR 61083-\*\*\*\*\*LF NOT PRINT DATE CODE.  
THE P/N 61083-\*\*\*\*\*P OR 61083-\*\*\*\*\*PLF NEED PRINT DATE CODE.
- POSITION 2X10 TYPE ONLY APPLY TO PLUG 1.  
PACKAGING WITH METAL CAP AND PLASTIC CAP DOES NOT APPLY TO 2X10 POSITION.
- KAPTON TAPE ONLY APPLY TO POSITION 2X10~2X20.

C	PLATING: CONTACT AREA / SOLDER TAIL AREA	FF
0	GOLD 0.2um MIN. / TIN LEAD 2.5um MIN NICKEL UNDERPLATE OVERALL 1.27um MIN	NONE
1	GOLD FLASH (0.1um MIN) OVER PALLADIUM-NICKEL 0.76um MIN / TIN LEAD 2.5um MIN NICKEL UNDERPLATE OVERALL 1.27um.	NONE
4	GOLD 0.2um MIN / PURE MATT TIN 2.5um MIN NICKEL UNDERPLATE OVERALL 1.27um. (LEADFREE PLATING)	LF
5	GOLD 0.38um MIN / MATT PURE TIN 2.5um MIN NICKEL UNDERPLATE OVERALL 1.27um MIN (LEADFREE PLATING)	LF
6	GOLD FLASH (0.1um MIN) OVER PALLADIUM-NICKEL 0.76um MIN / PURE MATT TIN 2.5um MIN NICKEL UNDERPLATE OVERALL 1.27um. (LEADFREE PLATING)	LF
9	GOLD 0.2um MIN / GOLD 0.05um MIN NICKEL UNDERPLATE OVERALL 1.27um. (LEADFREE PLATING)	LF



Copyright FCI.

spec ref	dr	Guomin Sun	2014-10-21	projection	mm	size	A3	scale	3:1
tolerance std	eng	Guomin Sun	2014-10-21			ecn no	-	rel level	RELEASE
TOLERANCES UNLESS OTHERWISE SPECIFIED  surface <input checked="" type="checkbox"/>	chr	ZK Hu	2014-10-21						
	appr	Feagle Pan	2014-10-21	product family	Bergstak				
	linear	0.X	±0.2		title BERGSTAK 0.8mm BTB PLUG ASSY	dwg no 61083	rev AG		
	0.XX	±0.15							
	0.XXX	±0.10							
	angular	0°	±2°	www.fci.com	cat. no.	-	Product - Customer drw	sheet 1 of 6	

PRODUCT NO.	NO. OF POSITION	DIMENSION		
		A	B	C
61083-021***	2X10	7.2	13.8	12.2
61083-041***	2X20	15.2	21.8	20.2
61083-061***	2X30	23.2	29.8	28.2
61083-081***	2X40	31.2	37.8	36.2
61083-101***	2X50	39.2	45.8	44.2
61083-121***	2X60	47.2	53.8	52.2
61083-141***	2X70	55.2	61.8	60.2
61083-161***	2X80	63.2	69.8	68.2
61083-181***	2X90	71.2	77.8	76.2
61083-201***	2X100	79.2	85.8	84.2

A

B

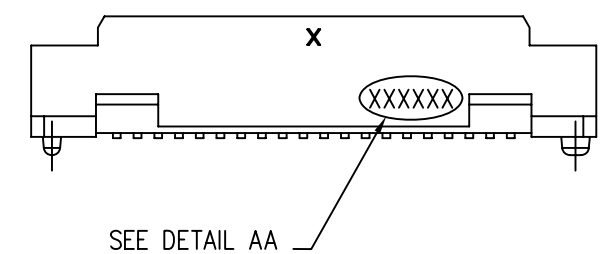
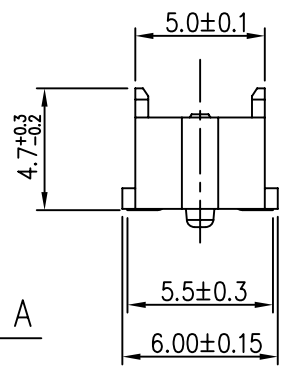
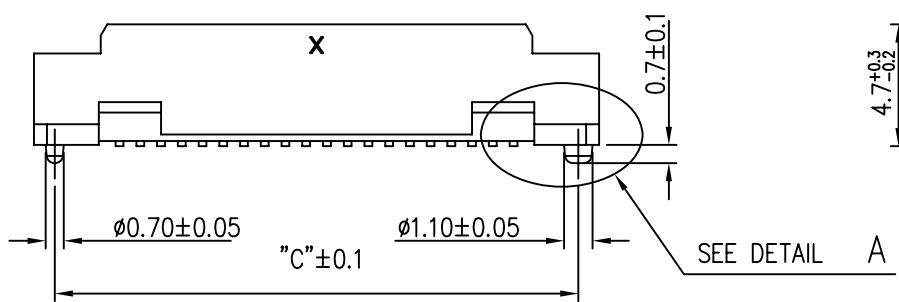
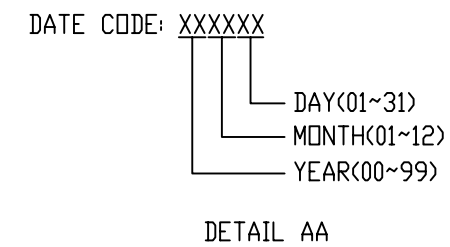
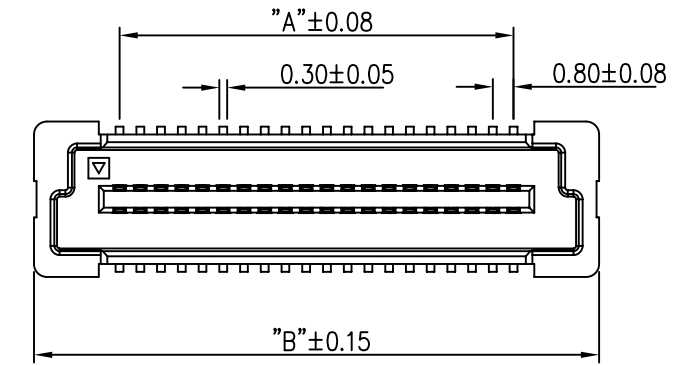
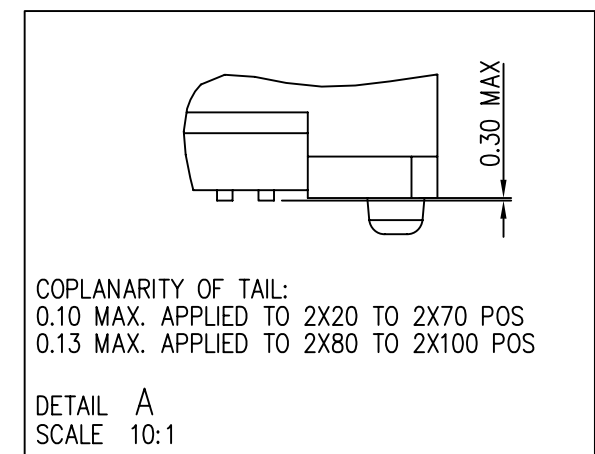
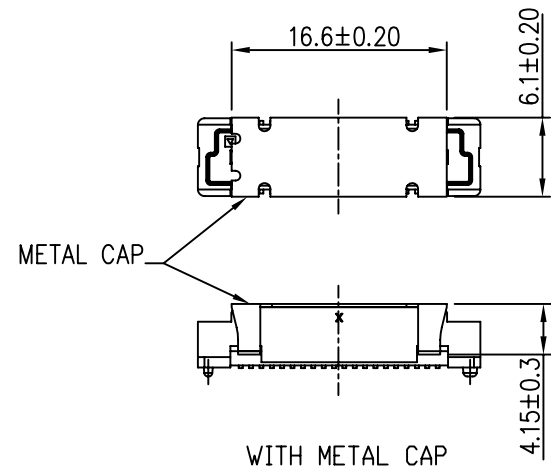
C

D

2

3

4



PLUG 1

dr	Guomin Sun	2014-10-21	projection	mm	size	A3	scale	3:1	
eng	Guomin Sun	2014-10-21			ecn no		-		
chr	ZK Hu	2014-10-21			-		-		RELEASE
appr	Feagle Pan	2014-10-21	product family	Bergstak	-		rel level	RELEASE	
			title		BERGSTAK 0.8mm BTB		dwg no	61083	
www.fci.com			cat. no.		-		Product - Customer drw	rev	AG
							sheet 2 of 6		



Copyright FCI.

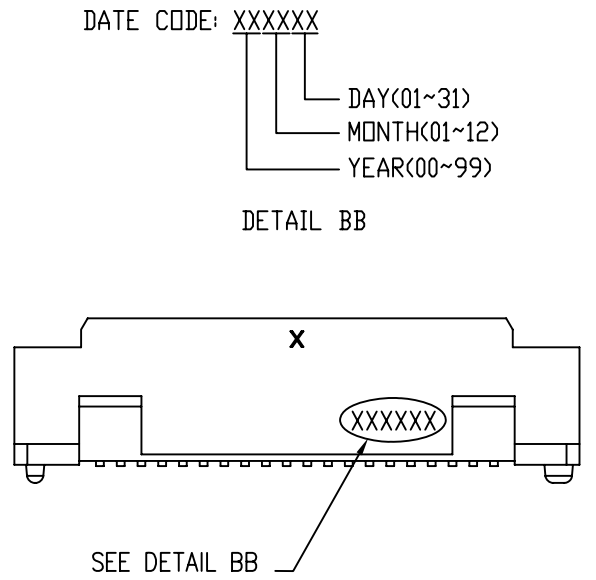
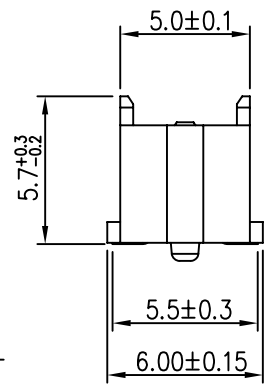
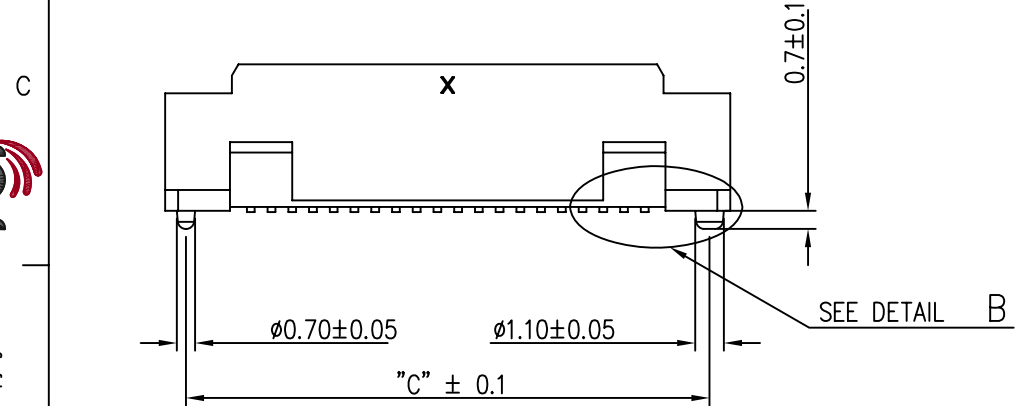
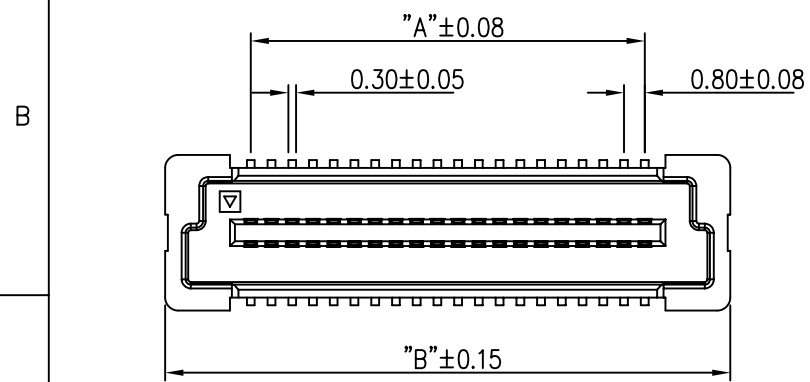
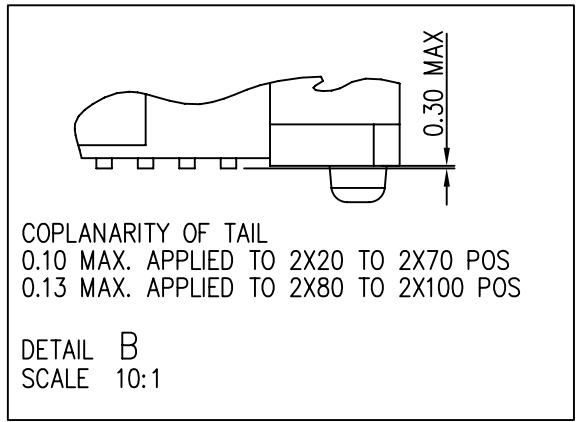
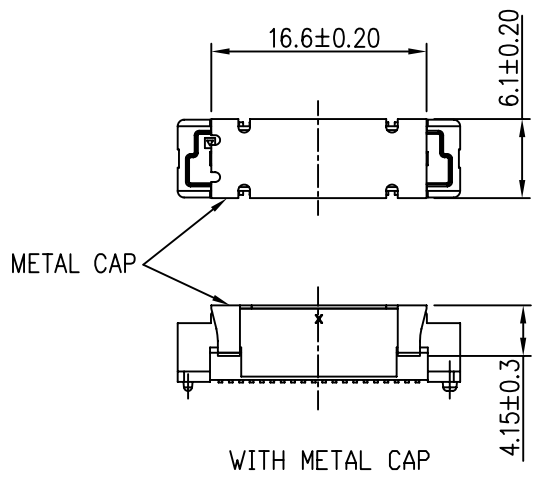
1

2

3

4

PRODUCT NO.	NO. OF POSITION	DIMENSION		
		A	B	C
61083-042***	2X20	15.2	21.8	20.2
61083-062***	2X30	23.2	29.8	28.2
61083-082***	2X40	31.2	37.8	36.2
61083-102***	2X50	39.2	45.8	44.2
61083-122***	2X60	47.2	53.8	52.2
61083-142***	2X70	55.2	61.8	60.2
61083-162***	2X80	63.2	69.8	68.2
61083-182***	2X90	71.2	77.8	76.2
61083-202***	2X100	79.2	85.8	84.2



PLUG 2

dr	Guomin Sun	2014-10-21	projection	mm	size	A3	scale	3:1	
eng	Guomin Sun	2014-10-21			ecn no				
chr	ZK Hu	2014-10-21			-				
appr	Feagle Pan	2014-10-21	product family	Bergstak	-	rel level	RELEASE		
			title		BERGSTAK 0.8mm BTB		dwg no	61083	rev
www.fci.com			cat. no.		-		Product - Customer drw	sheet 3 of 6	AG



Copyright FCI.

1

2

3

4

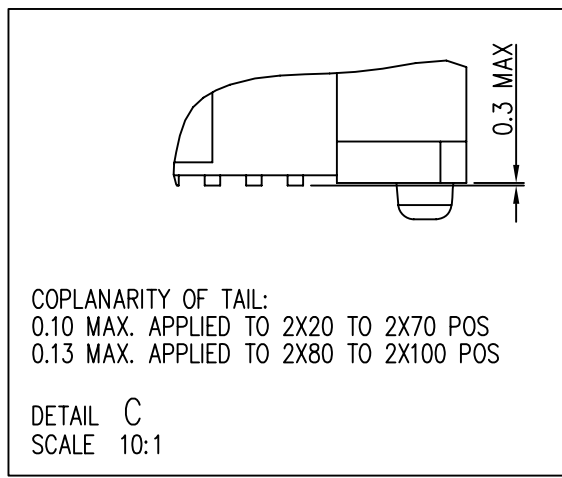
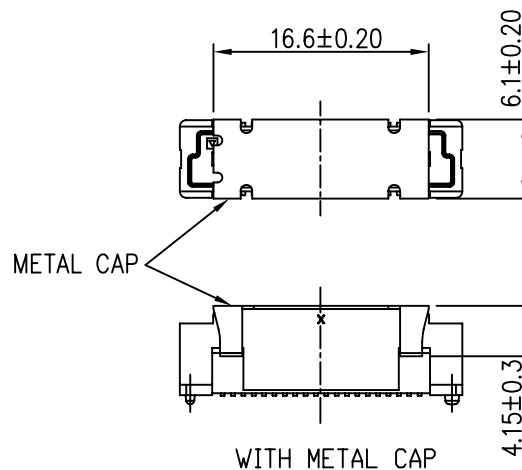
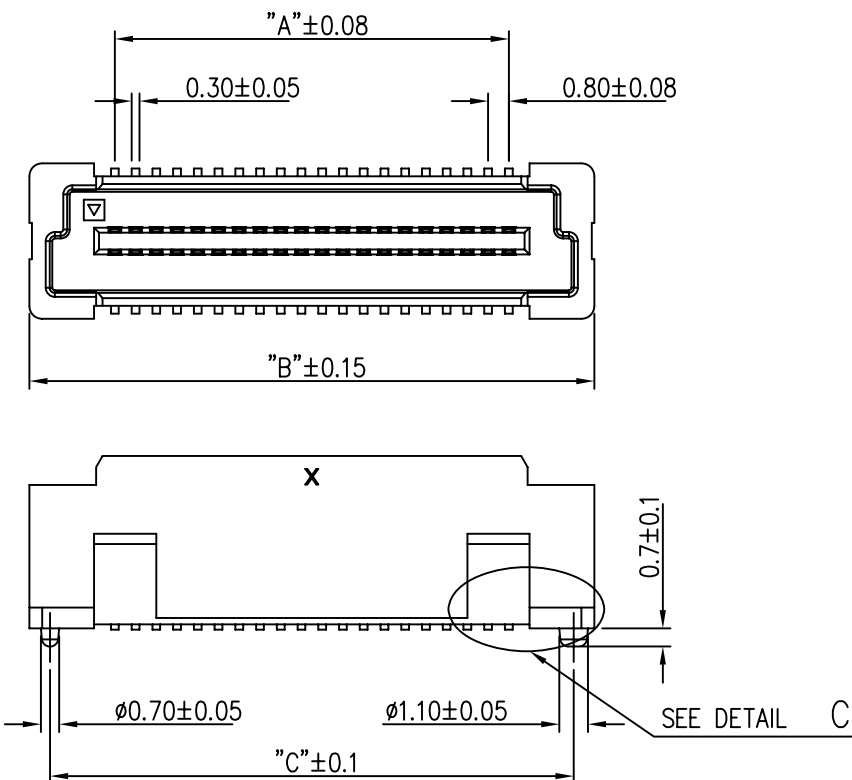
PRODUCT NO.	NO. OF POSITION	DIMENSION		
		A	B	C
61083-043***	2X20	15.2	21.8	20.2
61083-063***	2X30	23.2	29.8	28.2
61083-083***	2X40	31.2	37.8	36.2
61083-103***	2X50	39.2	45.8	44.2
61083-123***	2X60	47.2	53.8	52.2
61083-143***	2X70	55.2	61.8	60.2
61083-163***	2X80	63.2	69.8	68.2
61083-183***	2X90	71.2	77.8	76.2
61083-203***	2X100	79.2	85.8	84.2

A

B

C

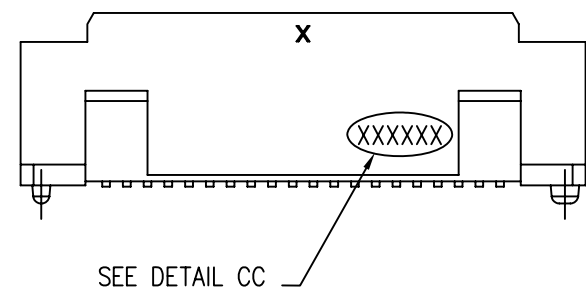
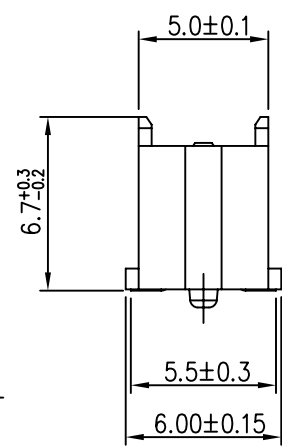
D



DATE CODE: XXXXXX

- DAY(01~31)
- MONTH(01~12)
- YEAR(00~99)

DETAIL CC



PLUG 3

dr	Guomin Sun	2014-10-21	projection	mm	size	A3	scale	3:1
eng	Guomin Sun	2014-10-21			ecn no			
chr	ZK Hu	2014-10-21			-			
appr	Feagle Pan	2014-10-21	product family	Bergstak	-	rel level	RELEASE	
			title		BERGSTAK 0.8mm BTB		dwg no	61083
www.fci.com			cat. no.		-		Product - Customer drw	rev
							AG	sheet 4 of 6

1

2

3

4

Copyright FCI

1

2

3

4

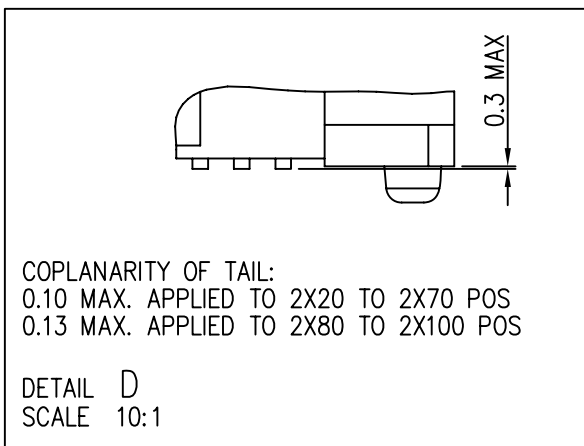
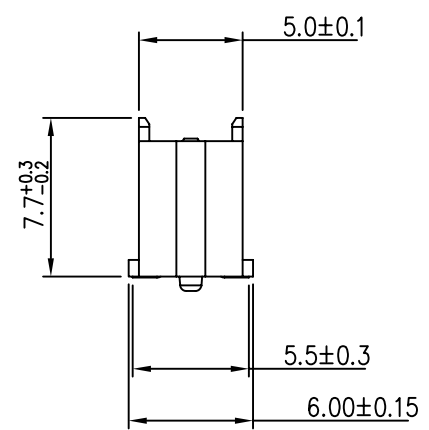
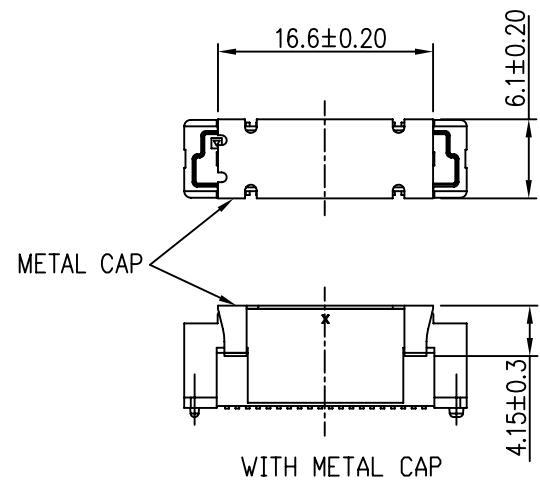
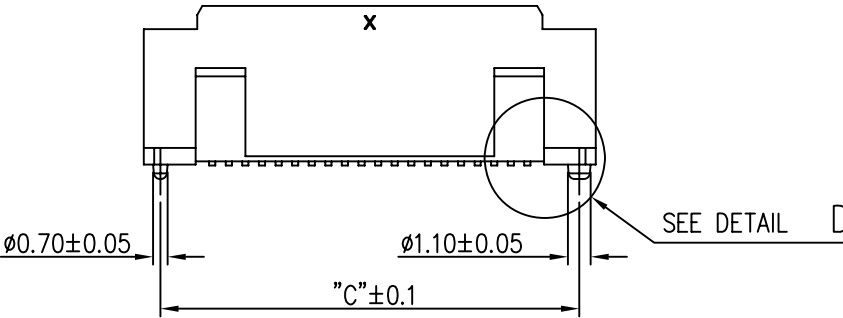
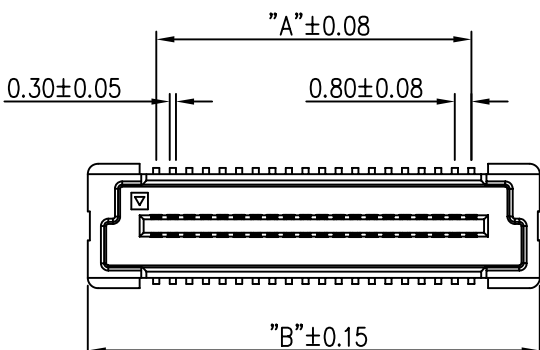
PRODUCT NO.	NO. OF POSITION	DIMENSION		
		A	B	C
61083-044***	2X20	15.2	21.8	20.2
61083-064***	2X30	23.2	29.8	28.2
61083-084***	2X40	31.2	37.8	36.2
61083-104***	2X50	39.2	45.8	44.2
61083-124***	2X60	47.2	53.8	52.2
61083-144***	2X70	55.2	61.8	60.2
61083-164***	2X80	63.2	69.8	68.2
61083-184***	2X90	71.2	77.8	76.2
61083-204***	2X100	79.2	85.8	84.2

A

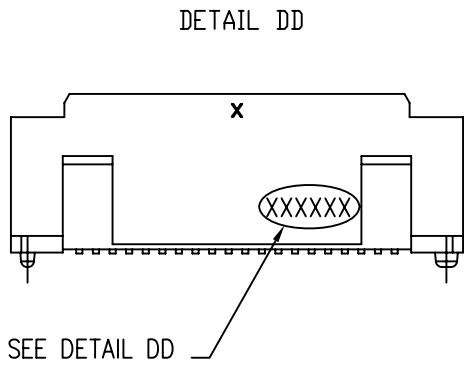
B

C

D



DATE CODE: XXXXXX  
 DAY<01~31>  
 MONTH<01~12>  
 YEAR<00~99>



PLUG 4

dr	Guomin Sun	2014-10-21	projection	mm	size	A3	scale	3:1		
eng	Guomin Sun	2014-10-21			ecn no					
chr	ZK Hu	2014-10-21			-					
appr	Feagle Pan	2014-10-21	product family	Bergstak	rel level	RELEASE				
			title		BERGSTAK 0.8mm BTB		dwg no	61083	rev	AG
www.fci.com			cat. no.	-	Product - Customer drw			sheet 5 of 6		

1

2

3

4

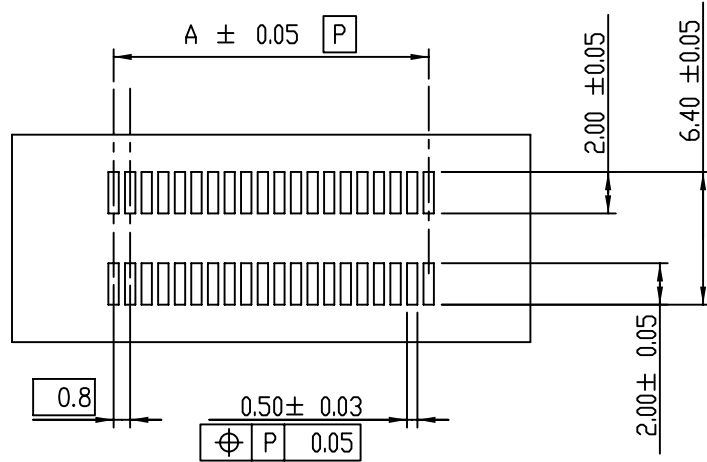
FOR PLUG 1/2/3/4

A

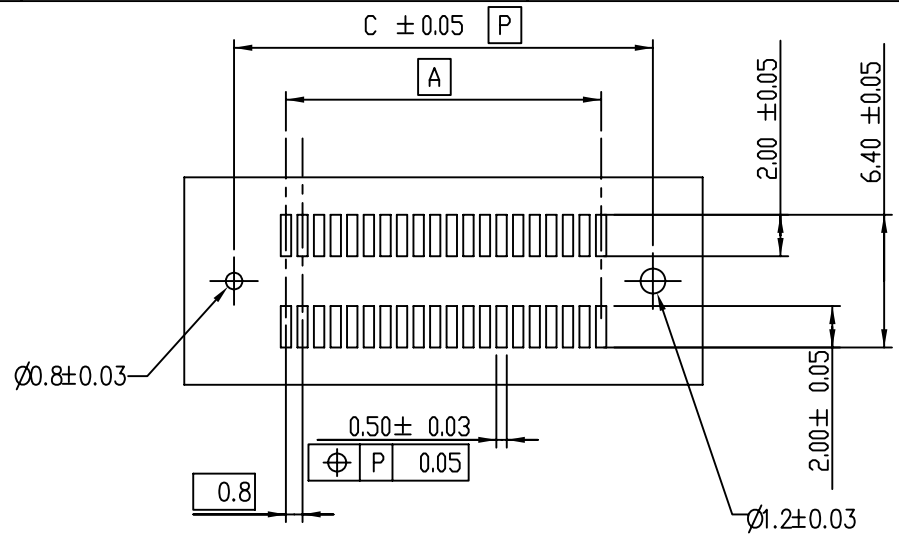
B

C

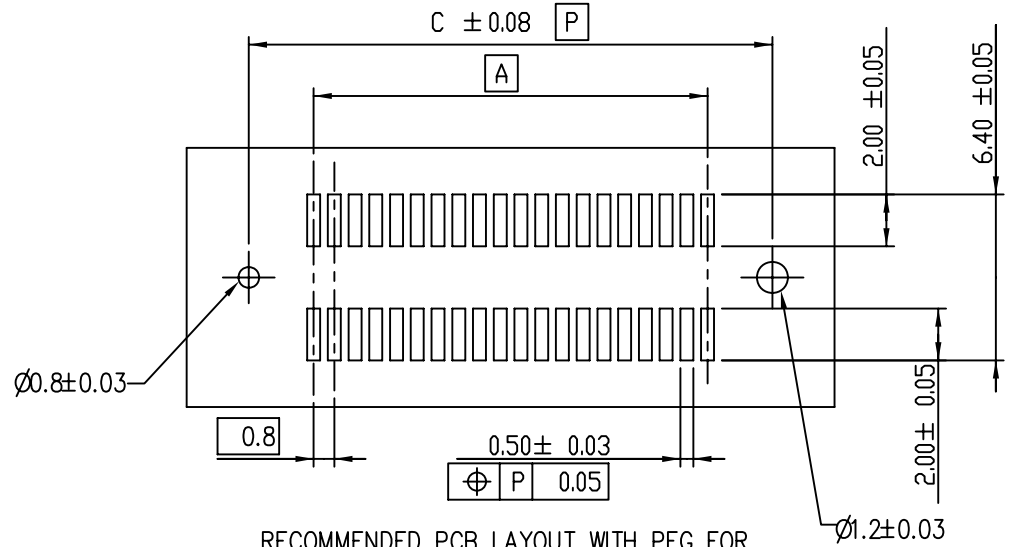
D



RECOMMENDED PCB LAYOUT WITHOUT PEG AND HOLDDOWN FOR NO. OF POS 2X20, 2X30, 2X40, 2X50 2X60



RECOMMENDED PCB LAYOUT WITH PEG FOR NO. OF POS 2X20, 2X30, 2X40, 2X50 2X60



RECOMMENDED PCB LAYOUT WITH PEG FOR NO. OF POS 2X70, 2X80, 2X90, 2X100



Copyright FCI.

dr	Guomin Sun	2014-10-21	projection	mm	size	A3	scale	3:1		
eng	Guomin Sun	2014-10-21			ecn no					
chr	ZK Hu	2014-10-21			-					
appr	Feagle Pan	2014-10-21	product family	Bergstak	rel level	RELEASE				
			title		BERGSTAK 0.8mm BTB		dwg no	61083	rev	AG
www.fci.com			cat. no.	-	Product - Customer drw			sheet 6 of 6		